

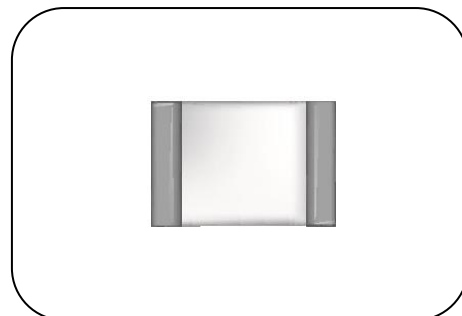
Gas Discharge Tube: GS22Y Series



SMD L3.2 x W1.6 x H1.6 mm Type

■ Features

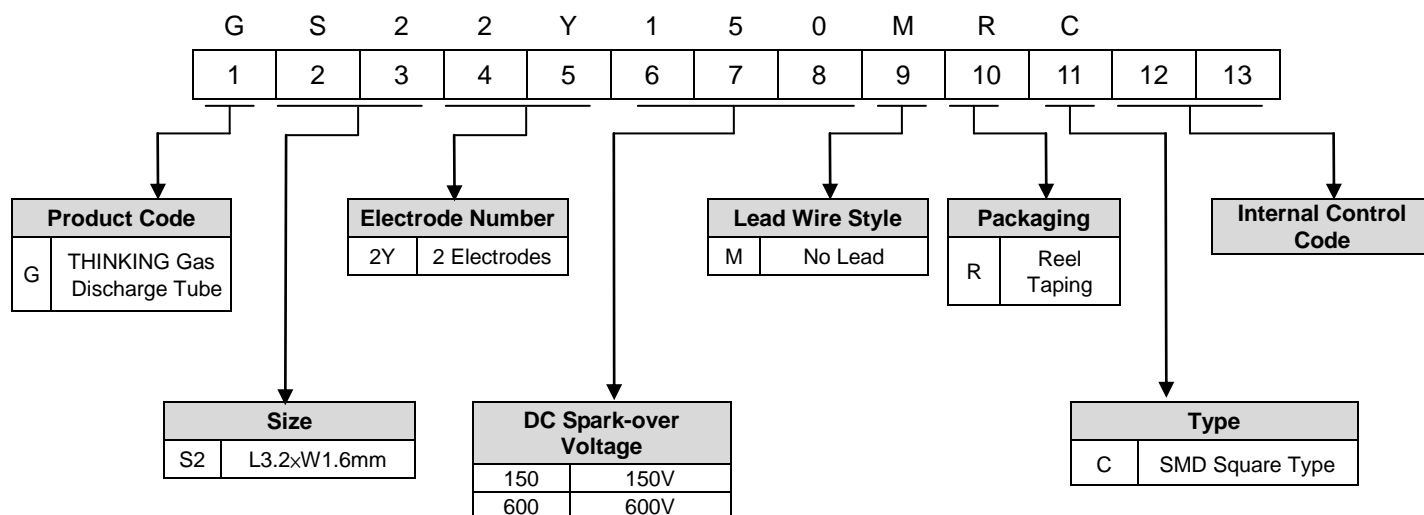
1. RoHS & HF compliant
2. SMD structure
3. DC spark-over voltage: 150~500V
4. Low capacitance
5. Agency recognition: UL
6. Operating temperature: -40°C ~ +125°C
Storage temperature: -40°C ~ +125°C



■ Recommended Applications

1. Cable modem
2. xDSL
3. Set-top box
4. TV sets
5. Ethernet port
6. Consumer electronics

■ Part Number Code



Gas Discharge Tube: GS22Y Series



SMD L3.2 x W1.6 x H1.6 mm Type

■ Characteristics

| Part No. | DC Spark-over Voltage | Max. Impulse Discharge Current | Impulse Withstanding Voltage Capacity | Normal Alternating Discharge Current | Impulse Life | Minimum Insulation Resistance | Maximum Capacitance | Safety Approvals |
|---------------|-----------------------|--|--|--------------------------------------|-------------------|-------------------------------|---------------------|------------------|
| | 100V/S | 8/20 μ s | 10/700 μ s | 50Hz, 1Sec | 8/20 μ s, 50A | @DC 100V | 1MHz | UL 497B |
| | (V) | (A) | (KV) | (A) | (次) | (M Ω) | (pF) | |
| GS22Y150MRC | 105~195 | 500A (Positive/ Negative 5 Times) | 6KV R=40 Ω (Positive/ Negative 5 Times) | 0.5A | 300 | Min. 100 | 0.3 | √ |
| GS22Y200MRC01 | 140~260 | | | | | | | √ |
| GS22Y230MRC | 161~299 | | | | | | | √ |
| GS22Y300MRC | 210~390 | | | | | | | √ |
| GS22Y350MRC | 245~455 | | | | | | | √ |
| GS22Y400MRC | 280~520 | | | | | | | √ |
| GS22Y450MRC | 338~585 | | | | | | | |
| GS22Y500MRC | 350~650 | | | | | | | |

Note1: C is for SMD square type;

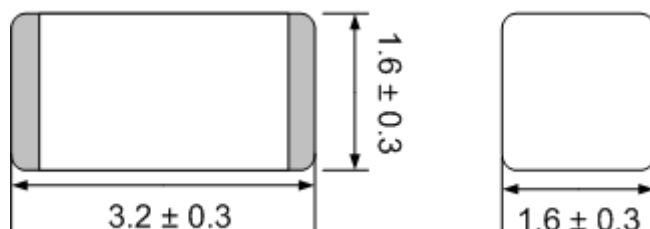
Note2: UL 497B File No: E245070

Note3: Insulation resistance test condition:

| DC Spark-over Voltage | DC Measuring Voltage |
|-----------------------|----------------------|
| 150-500V | 100V |

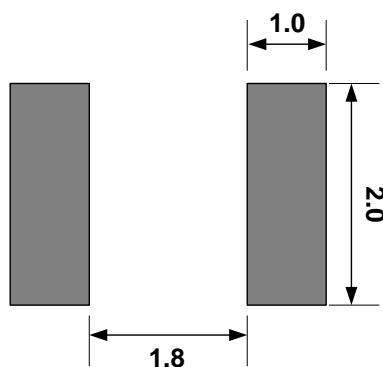
■ Dimension

(Unit: mm)



■ Recommended Pad Size

(Unit: mm)



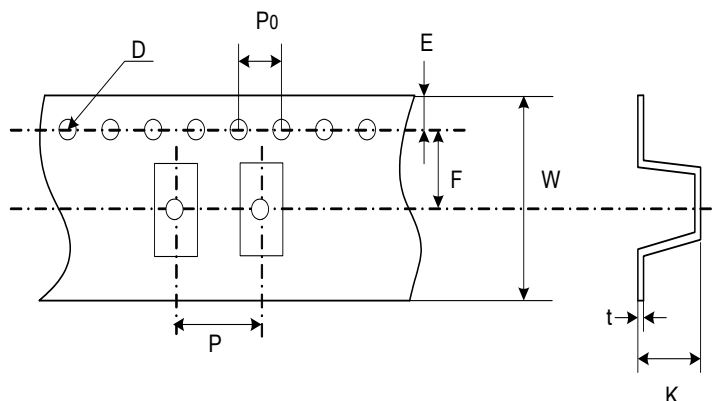
Gas Discharge Tube: GS22Y Series

SMD L3.2 x W1.6 x H1.6 mm Type



■ Packaging

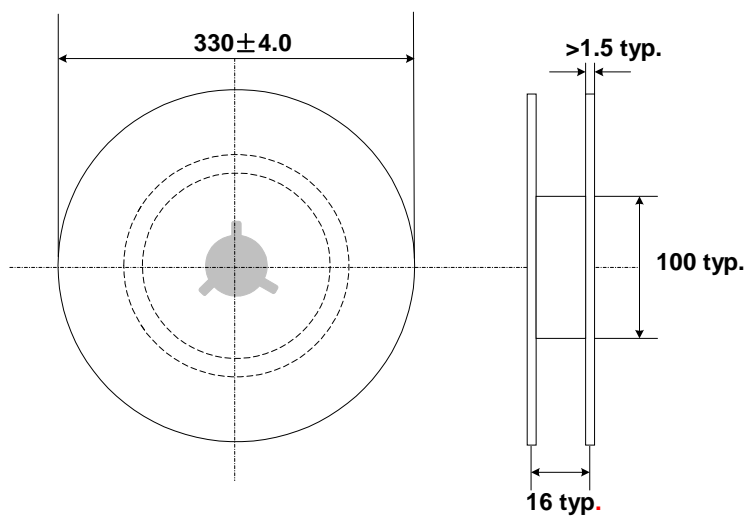
● Taping



Quantity (MPQ): 3,000pcs

(Unit: mm)

| Item | P | P0 | W | F | E | D | K | t |
|-----------|------|------|------|------|------|-------|------|-------|
| Spec. | 8.0 | 4.0 | 12.0 | 5.45 | 1.75 | Φ1.55 | 2.0 | 0.3 |
| Tolerance | ±0.1 | ±0.1 | ±0.3 | ±0.1 | ±0.1 | ±0.05 | ±0.1 | ±0.05 |



■ Warehouse Storage Conditions of Products

● Storage Conditions:

1. Storage Temperature: -10°C ~ +40°C
2. Relative Humidity: ≤ 75%RH
3. Keep away from corrosive atmosphere and sunlight.

● Period of Storage: 1 year